

JUMO GmbH & Co. KG
 Delivery address: Mackenrodtstraße 14
 36039 Fulda, Germany
 Postal address: 36035 Fulda, Germany
 Phone: +49 661 6003-0
 Fax: +49 661 6003-607
 E-mail: mail@jumo.net
 Internet: www.jumo.net

JUMO Instrument Co. Ltd.
 JUMO House
 Temple Bank, Riverway
 Harlow, Essex CM20 2DY, UK
 Phone: +44 1279 635533
 Fax: +44 1279 635262
 E-mail: sales@jumo.co.uk
 Internet: www.jumo.co.uk

JUMO Process Control, Inc.
 6733 Myers Road
 East Syracuse, NY 13057, USA
 Phone: 315-437-5866
 1-800-554-5866
 Fax: 315-437-5860
 E-mail: info.us@jumo.net
 Internet: www.jumousa.com



Bimetal thermometer

Particularities

- Class 1.5
- Display range -50°C ... +500°C
- Case dimensions Ø: 63 mm, 80 mm and 100 mm

Brief description

Indicator thermometers in standard version are devices which can be universally used for temperature measurement.



Type 608001/1810

Technical Data

Case	Case and front ring made of galvanized sheet steel; bracket made of aluminum (design 18)
Protection type	IP 51 as per DIN 60529
Front pane	Glass
Scale	Polished aluminum, labeled in black
Display	linear, class 1.5 similar to DIN EN 13190
Time behavior	t 0.9 evaluation time approx. 30 s (measured in moving water with a probe Ø of 10 mm made of brass)
Influential effect of the ambient temperature	no influence
Limit value temperatures	-30...+80°C (storage and transport -30...+80°C)
Rated position	any

JUMO GmbH & Co. KG
 Delivery address: Mackenrodtstraße 14
 36039 Fulda, Germany
 Postal address: 36035 Fulda, Germany
 Phone: +49 661 6003-0
 Fax: +49 661 6003-607
 E-mail: mail@jumo.net
 Internet: www.jumo.net

JUMO Instrument Co. Ltd.
 JUMO House
 Temple Bank, Riverway
 Harlow, Essex CM20 2DY, UK
 Phone: +44 1279 635533
 Fax: +44 1279 635262
 E-mail: sales@jumo.co.uk
 Internet: www.jumo.co.uk

JUMO Process Control, Inc.
 6733 Myers Road
 East Syracuse, NY 13057, USA
 Phone: 315-437-5866
 1-800-554-5866
 Fax: 315-437-5860
 E-mail: info.us@jumo.net
 Internet: www.jumousa.com

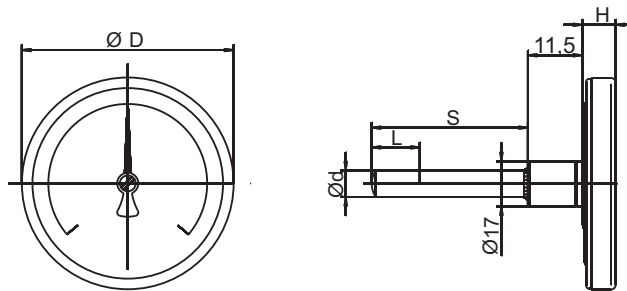


Technical Data

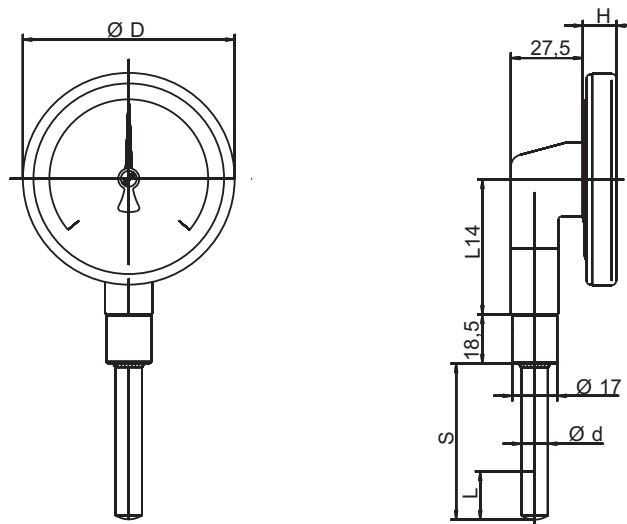
Display range (AB)	Display range in °C	Measuring range in °C	Tolerance in °C
632	-20...+60	-10...+60	1,5
810	0...+80	+10...+70	1,5
818	0...+120	+20...+100	3,0
826	0...+160	+20...+140	3,0
832	0...+200	+20...+180	3,0
834	0...+250	+30...+220	4,0
840	0...+300	+30...+270	8,0
854	0...+500	+50...+450	8,0

Dimensions

Types:
 608001/0163
 608001/0180
 608001/0110

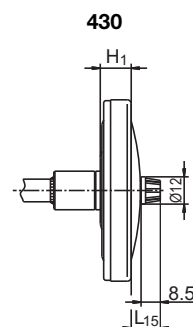


Types:
 608001/1863
 608001/1880
 608001/1810



Dimensional specifications about Ø d see data sheet 608730.

Extra codes



Type	Ø D	H	H ₁	L ₁₄	L ₁₅
608001/0163	63	13	14	--	12
608001/1863				26	
608001/0180	83	13	14	--	13
608001/1880				51	
608001/0110	100	16	16	--	13
608001/1810				51	

JUMO GmbH & Co. KG
 Delivery address: Mackenrodtstraße 14
 36039 Fulda, Germany
 Postal address: 36035 Fulda, Germany
 Phone: +49 661 6003-0
 Fax: +49 661 6003-607
 E-mail: mail@jumo.net
 Internet: www.jumo.net

JUMO Instrument Co. Ltd.
 JUMO House
 Temple Bank, Riverway
 Harlow, Essex CM20 2DY, UK
 Phone: +44 1279 635533
 Fax: +44 1279 635262
 E-mail: sales@jumo.co.uk
 Internet: www.jumo.co.uk

JUMO Process Control, Inc.
 6733 Myers Road
 East Syracuse, NY 13057, USA
 Phone: 315-437-5866
 1-800-554-5866
 Fax: 315-437-5860
 E-mail: info.us@jumo.net
 Internet: www.jumousa.com



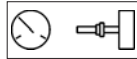
Order details

Order code (1) Basic type

Mechanical indicator thermometer, standard version class 1.5

Design 01 Case size Ø

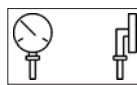
608001/0163
 608001/0180
 608001/0110



63 mm
 80 mm
 100 mm

Design 18 Case size Ø

608001/1863
 608001/1880
 608001/1810



63 mm
 80 mm
 100 mm

(2) Display range in °C

632 -20...+60
 810 0...+80
 818 0...+120
 826 0...+160
 832 0...+200
 834 0...+250
 840 0...+300
 854 0...+500

(3) Process connection (PC)

010	TA 01	Immersion tube with collar	
844	TA 02	Immersion tube with union nut and loose screw-connection ^a	
845	TA 03	Immersion tube with loose union nut	
841	TA 04	Immersion tube with fixed hexagon ^a	
847	TA 06	Immersion tube with displaceable clamping screw-connection (max. 20 bar)	
018	TA 08	Immersion tube with displaceable mounting plate made of galvanized steel and locking screw	
858	SH 04	Single-section screw-in thermowell	
891	SH 05	Multi-sectional screw-in thermowell	
913	SH 07	Multi-sectional screw-in thermowell with locking screw	
820	SH 09	Multi-sectional weld-in thermowell with locking screw	

^a Screw spigot as per DIN 3852 form A (not for NPT threads).

JUMO GmbH & Co. KG
 Delivery address: Mackenrodtstraße 14
 36039 Fulda, Germany
 Postal address: 36035 Fulda, Germany
 Phone: +49 661 6003-0
 Fax: +49 661 6003-607
 E-mail: mail@jumo.net
 Internet: www.jumo.net

JUMO Instrument Co. Ltd.
 JUMO House
 Temple Bank, Riverway
 Harlow, Essex CM20 2DY, UK
 Phone: +44 1279 635533
 Fax: +44 1279 635262
 E-mail: sales@jumo.co.uk
 Internet: www.jumo.co.uk

JUMO Process Control, Inc.
 6733 Myers Road
 East Syracuse, NY 13057, USA
 Phone: 315-437-5866
 1-800-554-5866
 Fax: 315-437-5860
 E-mail: info.us@jumo.net
 Internet: www.jumousa.com



(4) Ø Process connection (PC)^b

6	6 mm	
10	10 mm	
12	12 mm	(only with SH 05, SH 07)
14	14 mm	(only with SH 05, SH 07, SH 09)
17	17 mm	(only with SH 04)

(5) Thread type of process connection (PC)^b

000	Without thread (only TA 01)
103	Screw connection G 3/8
104	Screw-connection G 1/2
105	Screw-connection G 3/4
144	Screw-connection 1/2-14NPT

(6) Probe material

26	Stainless steel (CrNi, 1.4571)
46	Brass (CuZn)

(7) Material of process connection (PC)^b

26	Stainless steel (CrNi, 1.4571)
46	Brass (CuZn)

(8) Fitting length, process connection (PC) dimension "S"

100	100 mm
150	150 mm
200	200 mm
...	Special length (specifications in plain text - 50 mm steps)

(9) Extra code (EC)

000	Without extra codes
430	Fly back (only with basic type extension 0163, 0180, 0110, 1863, 1880, 1810 - display range min. 100 K)
522	Customized scale

Special versions on request !

^b For the description and particularities refer to data sheet 608730.

Order code (1) (2) (3) (4) (5) (6) (7) (8) (9)
 608001/ - - - - - - - - / , ...
 Order example 608001/0163 - 818 - 845 - 10 - 104 - 96 - 46 - 100 / 000^c , ...

^c State extra codes in sequence, separated by commas.

Stock versions

Part No.	Type	Display range °C	ø / dimension „S“ or „EL“
80000580	608001/0163-818-913-12-104-46-46-50/000	0...+120	12 x 50
80000581	608001/0163-818-913-12-104-46-46-63/000	0...+120	12 x 63
80000582	608001/0180-818-913-12-104-46-46-50/000	0...+120	12 x 50
80000583	608001/0110-818-913-12-104-46-46-100/000	0...+120	12 x 100
80000101	608001/0110-834-841-10-104-01-01-200/000	0...+250	10 x 200
80000103	608001/1810-818-841-10-104-46-01-100/000	0...+120	10 x 100

Delivery within 3 working days after receipt of order